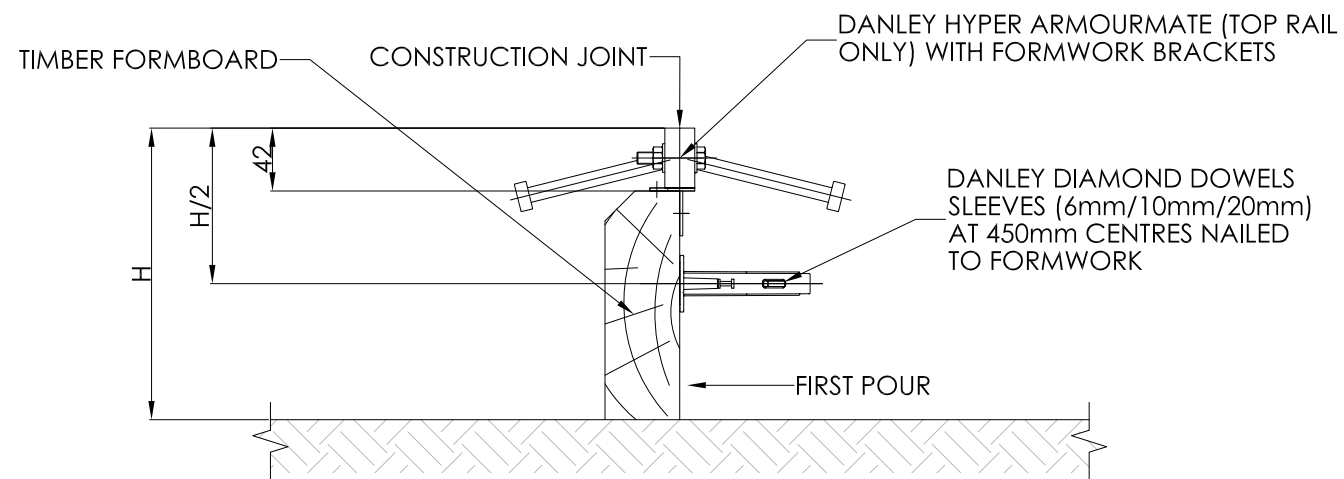
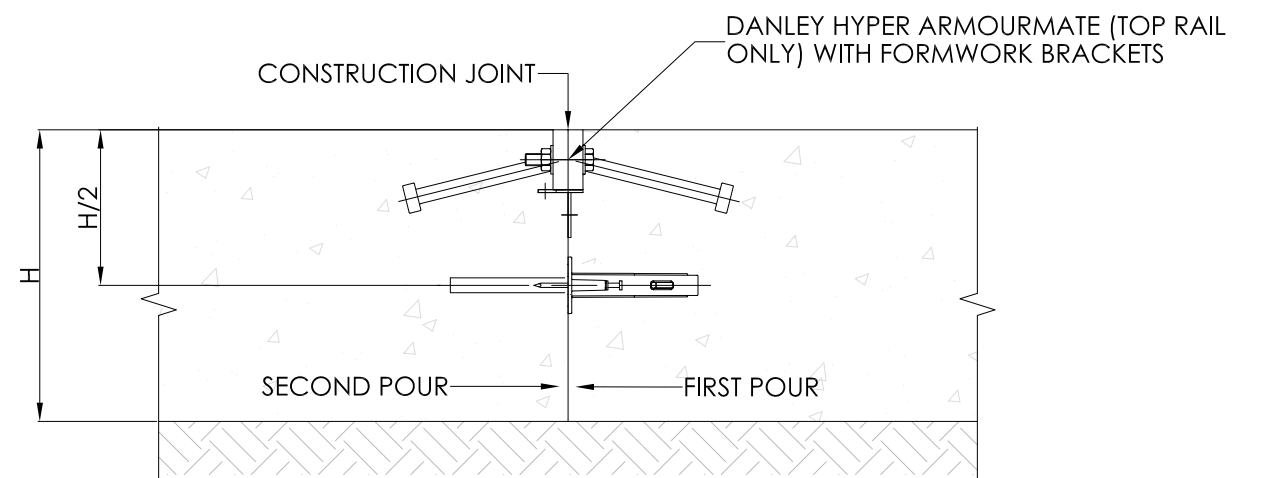


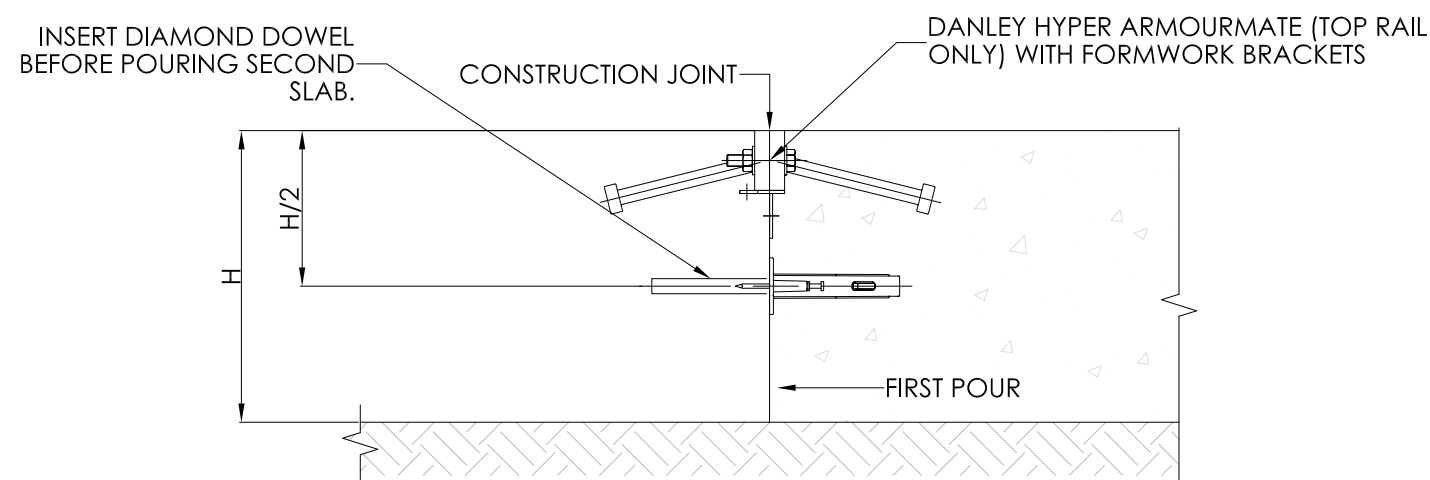
| REVISIONS | | | | |
|-----------|------------------|--------|----------|-------------|
| REV. | DESCRIPTION | D.C.P. | DATE | VERIFIED BY |
| 1 | FOR DISTRIBUTION | - | 25/02/21 | KRICHTER |



STEP 1 - ARMoured DOWEL JOINT (A.D.J.)
SCALE: 1:5



STEP 3 - ARMoured DOWEL JOINT (A.D.J.)
SCALE: 1:5



STEP 2 - ARMoured DOWEL JOINT (A.D.J.)
SCALE: 1:5

GENERAL NOTES:

HYPER ARMOURMATE™ DANLEY™ HYPER ARMOURMATE™ (TOP RAIL ONLY) USED WITH DANLEY™ DIAMOND™ DOWELS PROVIDES AN ANCHORED ARMoured JOINT AT THE CONCRETE ARIS WHILE ALLOWING LOAD TRANSFER ACROSS THE JOINT. RECOMMENDED FOR USE WITH DIAMOND™ DOWELS IN BLACK OR GALVANISED (SUPPLIED SEPARATELY). OTHER LOAD TRANSFER SYSTEMS POSSIBLE FOR USE WITH ENGINEERS SPECIFICATION.

ramsetreid
innovative construction solutions

DANLEY™

21 STEEL PLACE, MORNINGSIDe, QLD, 4170.
A DIVISION OF ITW AUSTRALIA PTY. LTD.

TEL: 1300 DANLEY (1300 326 539) FAX: (07) 3899 1733
EML:sales@danley.com.au
WEB: www.danley.com.au

THE INFORMATION CONTAINED IN THIS DRAWING IS THE SOLE PROPERTY OF RAMSETREID (ITW) AUSTRALIA.

DO NOT SCALE THIS DRAWING.

| | | | |
|---|------------------|-----------------------|-----------------------|
| DESCRIPTION: HYPER ARMOURMATE™ SECTIONAL VIEWS - TOP RAIL ONLY | | | |
| SIGNED: | DRAWN: GMASON | VERIFIED: KRICHTER | APPROVED: DMANTLE |
| DATE: | 25/02/21 | 10/03/21 | 10/03/21 |
| CAD FILE: DAN-DWG-017 - Hyper ArmourMate™ Sectional Views (Top Rail Only) | | | |
| DRAWING NO: DAN-DWG-017 | | SCALE: 1:5 | REVISION: 1 |
| SHEET: 1 OF 5 | | SIZE: A3 | |